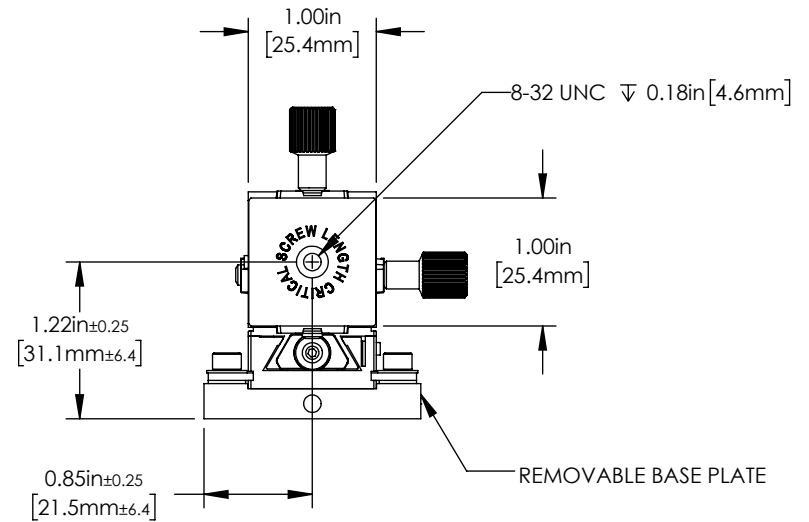
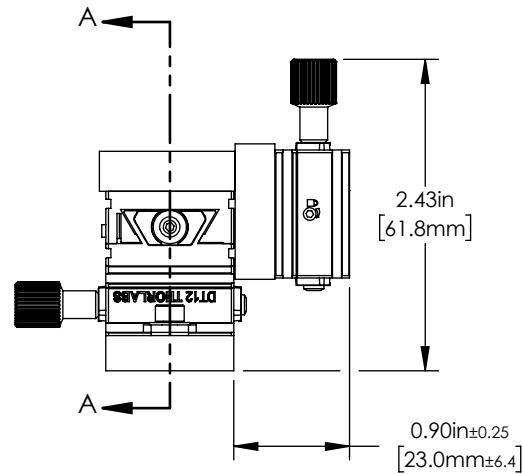


SECTION A-A  
 THRU HOLE FOR  
 CSK 1/4-20 UNC  
 FOR MOUNTING



FOR INFORMATION ONLY  
 NOT FOR MANUFACTURING PURPOSES

DRAWING PROJECTION			<b>THORLABS</b> www.thorlabs.com <b>1/2" TRAVEL XYZ DOVETAIL STAGE</b>	
NAME	DATE			
DRAWN	JR	04/JUL/16	MATERIAL N/A	
APPROVAL	SP	04/JUL/16		
COPYRIGHT © 2016 BY THORLABS			ITEM #	APPROX WEIGHT
VALUES IN PARENTHESIS ARE CALCULATED AND MAY CONTAIN ROUND OFF ERRORS			DT12XYZ	118g